

CMOS SERIAL E<sup>2</sup>PROM

S-93C46A/56A/66A

The S-93C46A/56A/66A is high speed, low power 1K/2K/4K-bit E<sup>2</sup>PROM with a wide operating voltage range. It is organized as 64-word ×16-bit, 128-word×16-bit, 256-word×16-bit, respectively. Each is capable of sequential read, at which time addresses are automatically incremented in 16-bit blocks. The instruction code is compatible with the NM93CS46/56/66.

■ Features

- Low power consumption
  - Standby : 1.0 μA Max. (V<sub>CC</sub>=5.5 V)
  - Operating : 0.8 mA Max. (V<sub>CC</sub>=5.5 V)
  - : 0.4 mA Max. (V<sub>CC</sub>=2.5 V)
- Wide operating voltage range
  - Read/Write : 1.8 to 5.5 V
- Sequential read capable
- Endurance : 10<sup>6</sup> cycles/word
- Data retention : 10 years
- S-93C46A : 1K bits NM93CS46 instruction code compatible
- S-93C56A : 2K bits NM93CS56 instruction code compatible
- S-93C66A : 4K bits NM93CS66 instruction code compatible

■ Pin Assignment

- 8-pin DIP (PKG drawing code : DP008-A,DP008-C,DP008-E)
- 8-pin SOP (PKG drawing code : FJ008-D,FJ008-E)
- 8-pin MSOP (PKG drawing code : FN008-A)
- 8-pin TSSOP (PKG drawing code : FT008-B)

■ Pin Assignment

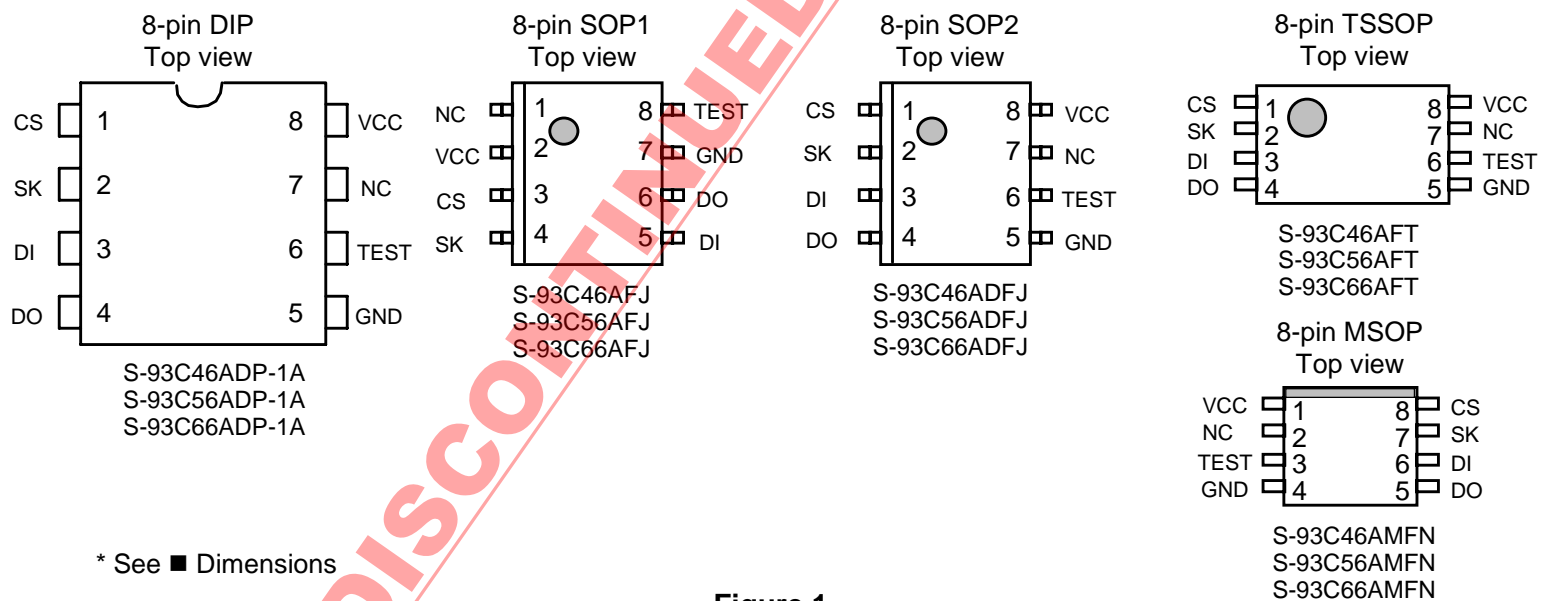


Figure 1

■ Pin Functions

Table 1

Name	Pin Number					Function
	DIP	SOP1	SOP2	TSSOP	MSOP	
CS	1	3	1	1	8	Chip select input
SK	2	4	2	2	7	Serial clock input
DI	3	5	3	3	6	Serial data input
DO	4	6	4	4	5	Serial data output
GND	5	7	5	5	4	Ground
TEST	6	8	6	6	3	Test pin (normally kept open) (can be connected to GND or V <sub>CC</sub> )
NC	7	1	7	7	2	No Connection
V <sub>CC</sub>	8	2	8	8	1	Power supply

■ Block Diagram

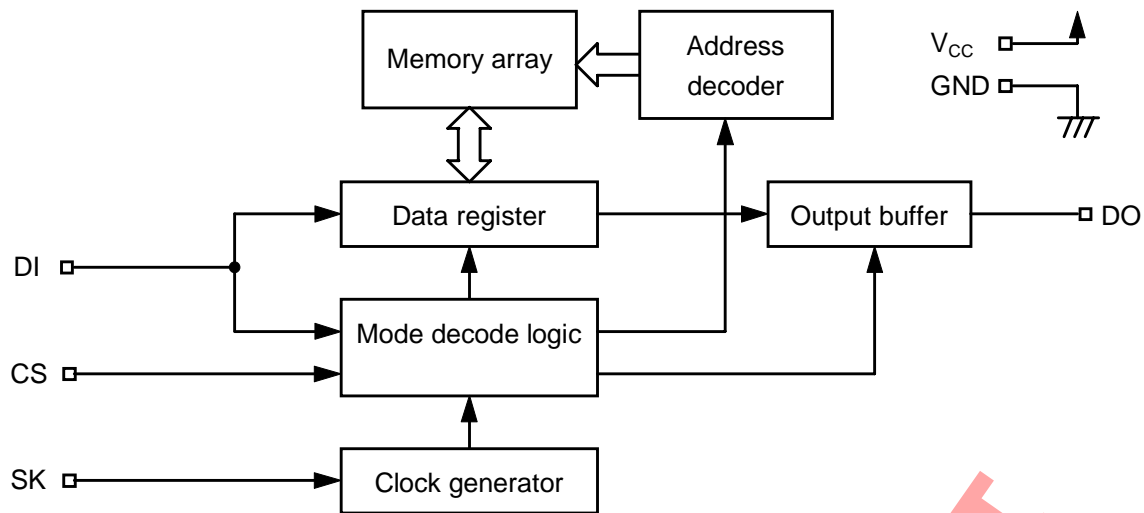


Figure 2

■ Instruction Set

Table 2

Instruction	Start Bit	Op Code	Address			Data
			S-93C46A	S-93C56A	S-93C66A	
READ (Read data)	1	10	A <sub>5</sub> to A <sub>0</sub>	XA <sub>6</sub> to A <sub>0</sub>	A <sub>7</sub> to A <sub>0</sub>	D <sub>15</sub> to D <sub>0</sub> Output*1
WRITE (Write data)	1	01	A <sub>5</sub> to A <sub>0</sub>	XA <sub>6</sub> to A <sub>0</sub>	A <sub>7</sub> to A <sub>0</sub>	D <sub>15</sub> to D <sub>0</sub> Input
ERASE (Erase data)	1	11	A <sub>5</sub> to A <sub>0</sub>	XA <sub>6</sub> to A <sub>0</sub>	A <sub>7</sub> to A <sub>0</sub>	—
WRAL (Write all)*2	1	00	01xxxx	01xxxxxx	01xxxxxx	D <sub>15</sub> to D <sub>0</sub> Input
ERAL (Erase all)*2	1	00	10xxxx	10xxxxxx	10xxxxxx	—
EWEN (Program enable)	1	00	11xxxx	11xxxxxx	11xxxxxx	—
EWDS (Program disable)	1	00	00xxxx	00xxxxxx	00xxxxxx	—

x : Doesn't matter.

\*1: Addresses are continuously incremented.

\*2: Valid only at V<sub>CC</sub> = 2.5 V to 5.5 V.

■ Absolute Maximum Ratings

Table 3

Parameter	Symbol	Ratings	Unit
Power supply voltage	V <sub>CC</sub>	-0.3 to +7.0	V
Input voltage	V <sub>IN</sub>	-0.3 to V <sub>CC</sub> +0.3	V
Output voltage	V <sub>OUT</sub>	-0.3 to V <sub>CC</sub>	V
Storage temperature under bias	T <sub>bias</sub>	-50 to +95	°C
Storage temperature	T <sub>stg</sub>	-65 to +150	°C

■ Recommended Operating Conditions

Table 4

Parameter	Symbol	Conditions	Min.	Typ.	Max.	Unit
Power supply voltage	V <sub>CC</sub>	READ/WRITE/ERASE EWEN/EWDS	1.8	—	5.5	V
		WRAL/ERAL	2.5	—	5.5	V
High level input voltage	V <sub>IH</sub>	V <sub>CC</sub> =4.5 to 5.5 V	2.0	—	V <sub>CC</sub>	V
		V <sub>CC</sub> =2.7 to 4.5 V	0.8×V <sub>CC</sub>	—	V <sub>CC</sub>	V
		V <sub>CC</sub> =1.8 to 2.7 V	0.8×V <sub>CC</sub>	—	V <sub>CC</sub>	V
Low level input voltage	V <sub>IL</sub>	V <sub>CC</sub> =4.5 to 5.5 V	0.0	—	0.8	V
		V <sub>CC</sub> =2.7 to 4.5 V	0.0	—	0.2×V <sub>CC</sub>	V
		V <sub>CC</sub> =1.8 to 2.7 V	0.0	—	0.15×V <sub>CC</sub>	V
Operating temperature	T <sub>opr</sub>		-40	—	+85	°C

■ Pin Capacitance

Table 5

(T<sub>a</sub>=25 °C, f=1.0 MHz, V<sub>CC</sub>=5 V)

Parameter	Symbol	Conditions	Min.	Typ.	Max.	Unit
Input Capacitance	C <sub>IN</sub>	V <sub>IN</sub> =0 V	—	—	8	pF
Output Capacitance	C <sub>OUT</sub>	V <sub>OUT</sub> =0 V	—	—	10	pF

■ Endurance

Table 6

Parameter	Symbol	Min.	Typ.	Max.	Unit
Endurance	N <sub>w</sub>	10 <sup>6</sup>	—	—	cycles/word

■ DC Electrical Characteristics

Table 7

Parameter	SmbI	Conditions	V <sub>CC</sub> =4.5 V to 5.5 V			V <sub>CC</sub> =2.5 V to 4.5 V			V <sub>CC</sub> =1.8 to 2.5 V			Unit
			Min.	Typ.	Max.	Min.	Typ.	Max.	Min.	Typ.	Max.	
Current consumption (READ)	I <sub>CC1</sub>	DO unloaded	—	—	0.8	—	—	0.6	—	—	0.4	mA
Current consumption (PROGRAM)	I <sub>CC2</sub>	DO unloaded	—	—	2.0	—	—	1.5	—	—	1.0	mA

Table 8

Parameter	SmbI	Conditions	V <sub>CC</sub> =4.5 V to 5.5 V			V <sub>CC</sub> =2.5 to 4.5 V			V <sub>CC</sub> =1.8 to 2.5 V			Unit
			Min.	Typ.	Max.	Min.	Typ.	Max.	Min.	Typ.	Max.	
Standby current consumption	I <sub>SB</sub>	CS=GND DO=Open Connected to V <sub>CC</sub> or GND	—	—	1.0	—	—	0.6	—	—	0.4	μA
Input leakage current	I <sub>LI</sub>	V <sub>IN</sub> =GND to V <sub>CC</sub>	—	0.1	1.0	—	0.1	1.0	—	0.1	1.0	μA
Output leakage current	I <sub>LO</sub>	V <sub>OUT</sub> =GND to V <sub>CC</sub>	—	0.1	1.0	—	0.1	1.0	—	0.1	1.0	μA
Low level output voltage	V <sub>OL</sub>	I <sub>OL</sub> =2.1 mA	—	—	0.4	—	—	—	—	—	—	V
		I <sub>OL</sub> =100 μA	—	—	0.1	—	—	0.1	—	—	0.1	V
High level output voltage	V <sub>OH</sub>	I <sub>OH</sub> =-400 μA	2.4	—	—	—	—	—	—	—	—	V
		I <sub>OH</sub> =-100 μA	V <sub>CC</sub> -0.7	—	—	V <sub>CC</sub> -0.7	—	—	—	—	—	V
		I <sub>OH</sub> =-10 μA	V <sub>CC</sub> -0.7	—	—	V <sub>CC</sub> -0.7	—	—	V <sub>CC</sub> -0.2	—	—	V
Write enable latch data hold voltage	V <sub>DH</sub>	Only when write disable mode	1.5	—	—	1.5	—	—	1.5	—	—	V

DISCONTINUED PRODUCT

■ AC Electrical Characteristics

Table 9

Input pulse voltage	0.1×V <sub>CC</sub> to 0.9×V <sub>CC</sub>
Output reference voltage	0.5×V <sub>CC</sub>
Output load	100pF

Table 10

Parameter	Smb1	V <sub>CC</sub> =4.5 to 5.5V			V <sub>CC</sub> =2.5 to 4.5 V			V <sub>CC</sub> =1.8 to 2.5V			Unit
		Min.	Typ.	Max.	Min.	Typ.	Max.	Min.	Typ.	Max.	
CS setup time	t <sub>CSS</sub>	0.2	—	—	0.4	—	—	1.0	—	—	μs
CS hold time	t <sub>CSH</sub>	0	—	—	0	—	—	0	—	—	μs
CS deselect time	t <sub>CDS</sub>	0.2	—	—	0.2	—	—	0.4	—	—	μs
Data setup time	t <sub>DS</sub>	0.1	—	—	0.2	—	—	0.4	—	—	μs
Data hold time	t <sub>DH</sub>	0.1	—	—	0.2	—	—	0.4	—	—	μs
Output delay	t <sub>PD</sub>	—	—	0.4	—	—	1.0	—	—	2.0	μs
Clock frequency	f <sub>SK</sub>	0	—	2.0	0	—	0.5	—	—	0.25	MHz
Clock pulse width	t <sub>SKH</sub> , t <sub>SKL</sub>	0.25	—	—	1.0	—	—	2.0	—	—	μs
Output disable time	t <sub>HZ1</sub> , t <sub>HZ2</sub>	0	—	0.15	0	—	0.5	0	—	1.0	μs
Output enable time	t <sub>SV</sub>	0	—	0.15	0	—	0.5	0	—	1.0	μs
Programming time	t <sub>PR</sub>	—	4.0	10.0	—	4.0	10.0	—	4.0	10.0	ms

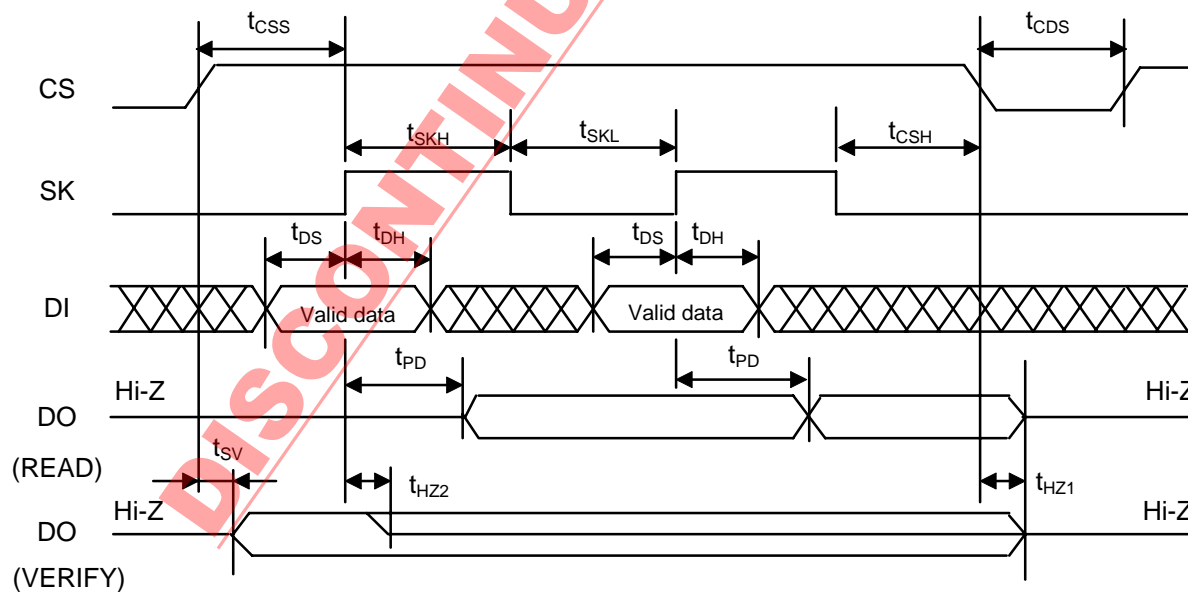


Figure 3 Read Timing

■ Operation

Instructions (in the order of start-bit, instruction, address, and data) are latched to DI in synchronization with the rising edge of SK after CS goes high. A start-bit can only be recognized when the high of DI is latched to the rising edge of SK when CS goes from low to high, it is impossible for it to be recognized as long as DI is low, even if there are SK pulses after CS goes high. Any SK pulses input while DI is low are called "dummy clocks." Dummy clocks can be used to adjust the number of clock cycles needed by the serial IC to match those sent out by the CPU. Instruction input finishes when CS goes low, where it must be low between commands during  $t_{CDS}$ .

All input, including DI and SK signals, is ignored while CS is low, which is stand-by mode.

1. Read

The READ instruction reads data from a specified address. After A0 is latched at the rising edge of SK, DO output changes from a high-impedance state (Hi-Z) to low level output. Data is continuously output in synchronization with the rise of SK.

When all of the data (D0) in the specified address has been read, the data in the next address can be read with the input of another SK clock. Thus, it is possible for all of the data addresses to be read through the continuous input of SK clocks as long as CS is high.

The last address ( $A_n \dots A_1 A_0 = 1 \dots 11$ ) rolls over to the top address ( $A_n \dots A_1 A_0 = 0 \dots 00$ ).

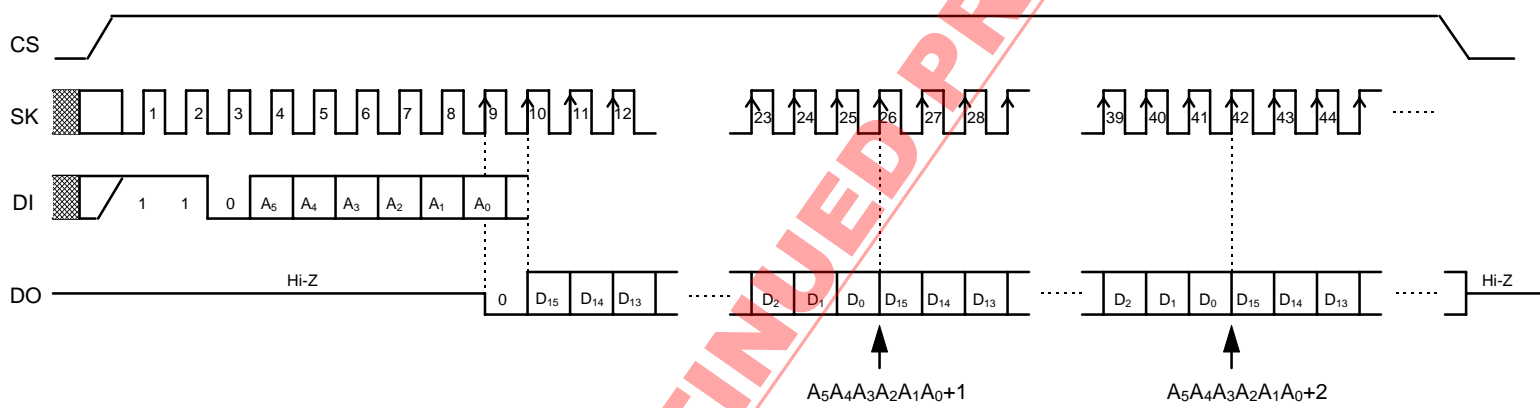


Figure 4 Read Timing (S-93C46A)

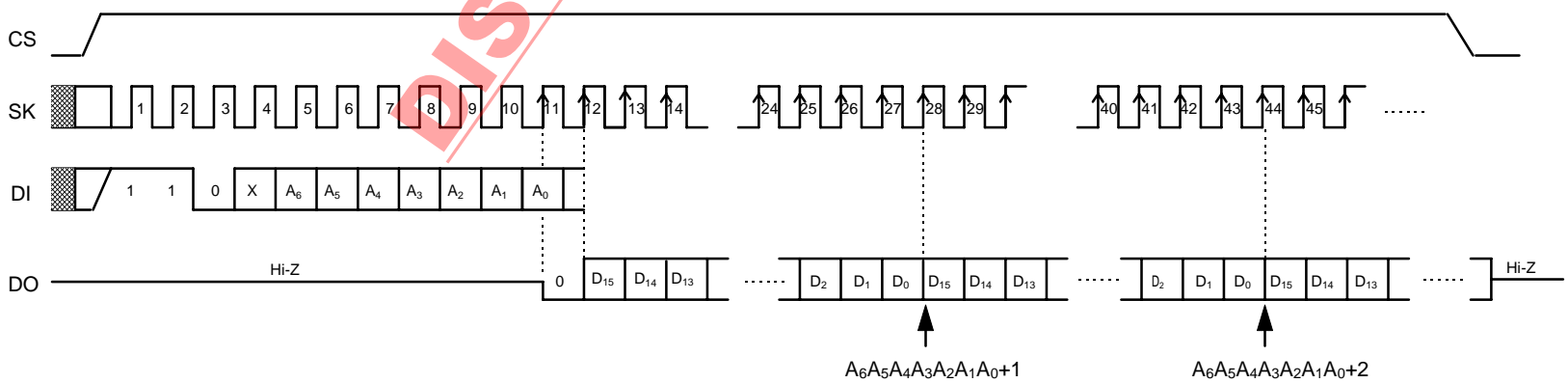


Figure 5 Read Timing (S-93C56A)

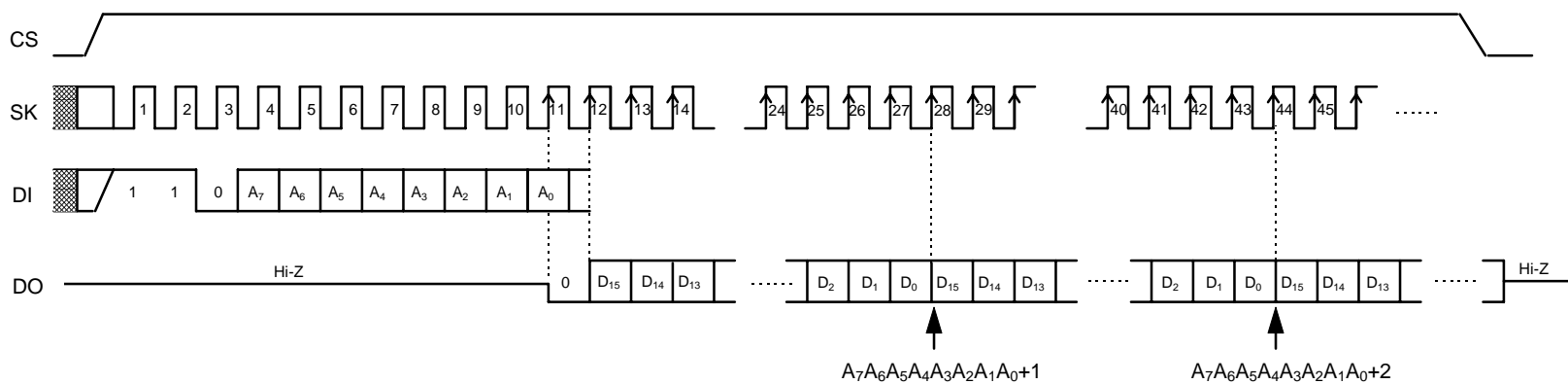


Figure 6 Read Timing (S-93C66A)

2. Write (WRITE, ERASE, WRAL, ERAL)

There are four write instructions, WRITE, ERASE, WRAL, and ERAL. Each automatically begins writing to the non-volatile memory when CS goes low at the completion of the specified clock input.

The write operation is completed in 10 ms ( $t_{PR}$  Max.), and the typical write period is less than 5 ms. In the S-93C46A/56A/66A, it is easy to VERIFY the completion of the write operation in order to minimize the write cycle by setting CS to high and checking the DO pin, which is low during the write operation and high after its completion. This VERIFY procedure can be executed over and over again.

Because all SK and DI inputs are ignored during the write operation, any input of instruction will also be disregarded. When DO outputs high after completion of the write operation or if it is in the high-impedance state (Hi-Z), the input of instructions is available. Even if the DO pin remains high, it will enter the high-impedance state upon the recognition of a high of DI (start-bit) attached to the rising edge of an SK pulse. (see Figure 3).

DI input should be low during the VERIFY procedure.

DISCONTINUED PRODUCT

2.1 WRITE

This instruction writes 16-bit data to a specified address. After changing CS to high, input a start-bit, op-code (WRITE), address, and 16-bit data. If there is a data overflow of more than 16 bits, only the last 16 bits of the data is considered valid. Changing CS to low will start the WRITE operation. It is not necessary to make the data "1" before initiating the WRITE operation.

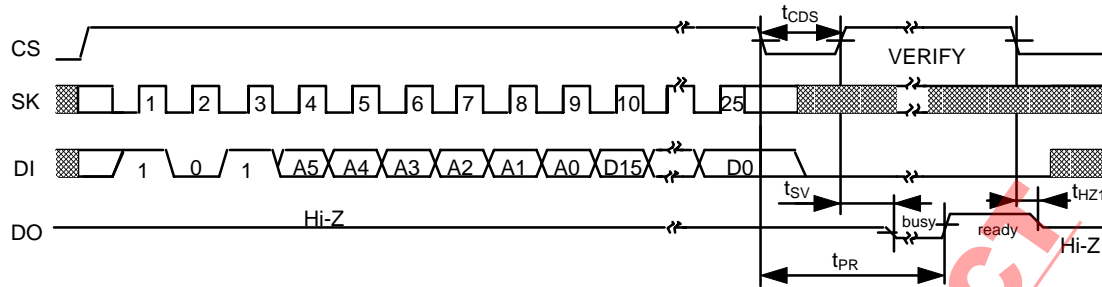


Figure 7 WRITE Timing (S-93C46A)

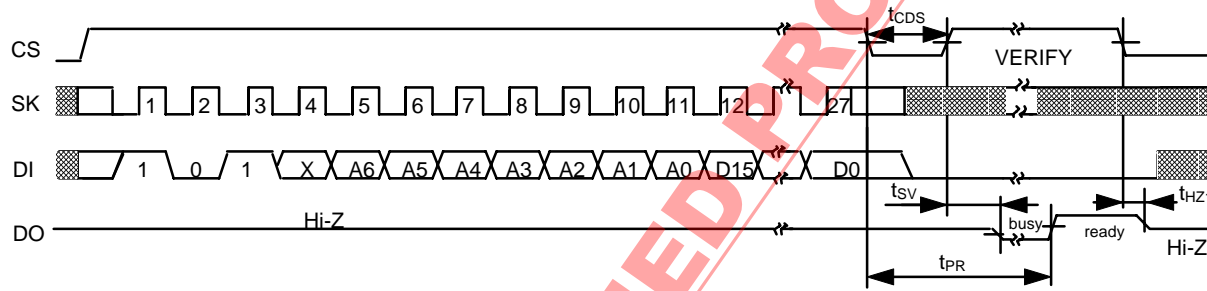


Figure 8 WRITE Timing (S-93C56A)

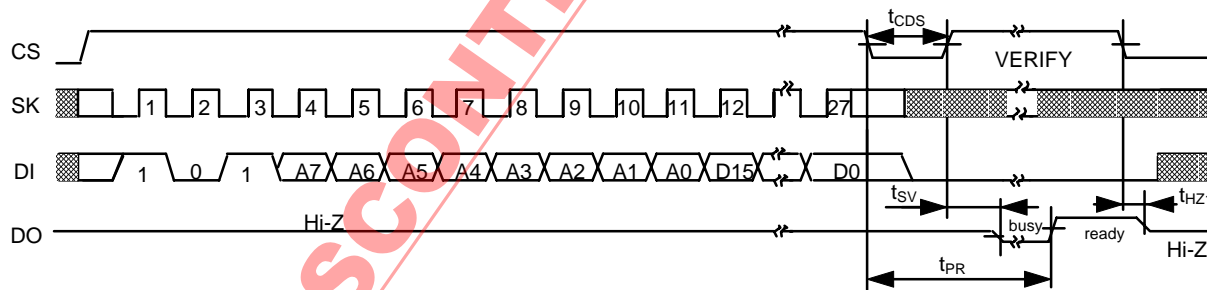


Figure 9 WRITE Timing (S-93C66A)



2.2 ERASE

This command erases 16-bit data in a specified address. After changing CS to high, input a start-bit, op-code (ERASE), and address. It is not necessary to input data. Changing CS to low will start the ERASE operation, which changes every bit of the 16-bit data to "1."

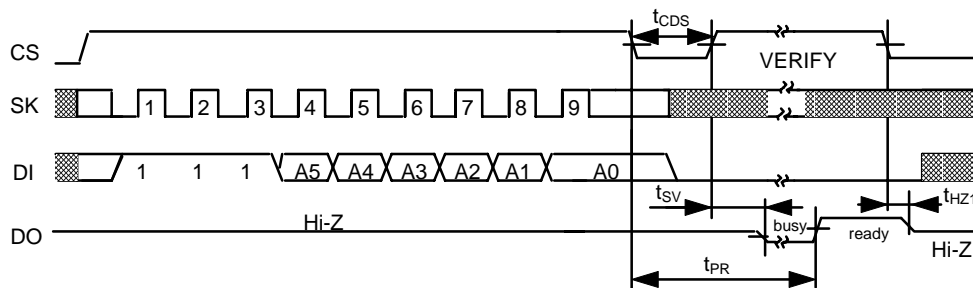


Figure 10 ERASE Timing (S-93C46A)

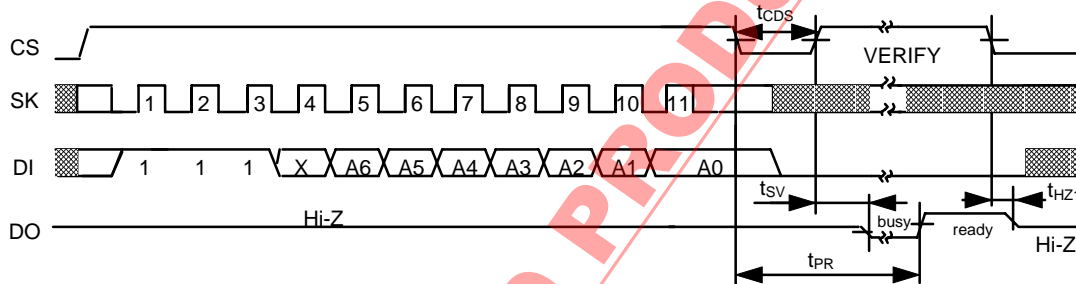


Figure 11 ERASE Timing (S-93C56A)

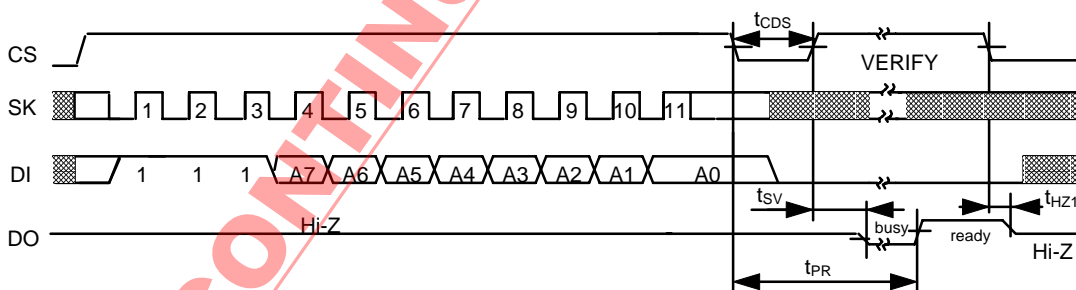


Figure 12 ERASE Timing (S-93C66A)

DISCONTINUED PRODUCT

2.3 WRAL

This instruction writes the same 16-bit data into every address. After changing CS to high, input a start-bit, op-code (WRAL), address (optional), and 16-bit data. If there is a data overflow of more than 16 bits, only the last 16 bits of the data is considered valid. Changing CS to low will start the WRAL operation. It is not necessary to make the data "1" before initiating the WRAL operation.

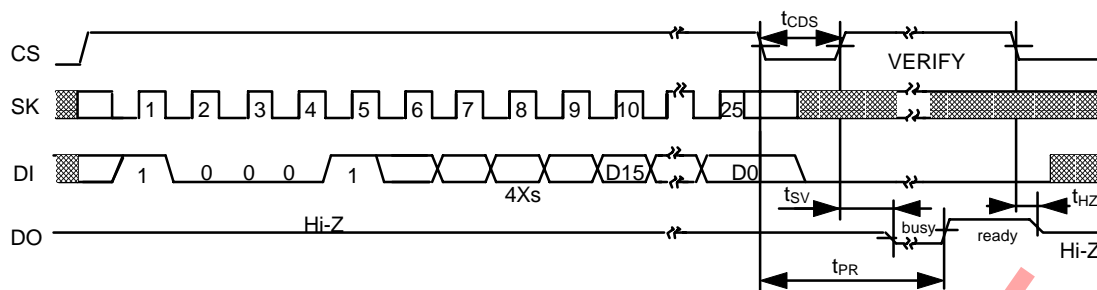


Figure 13 WRAL Timing (S-93C46A)

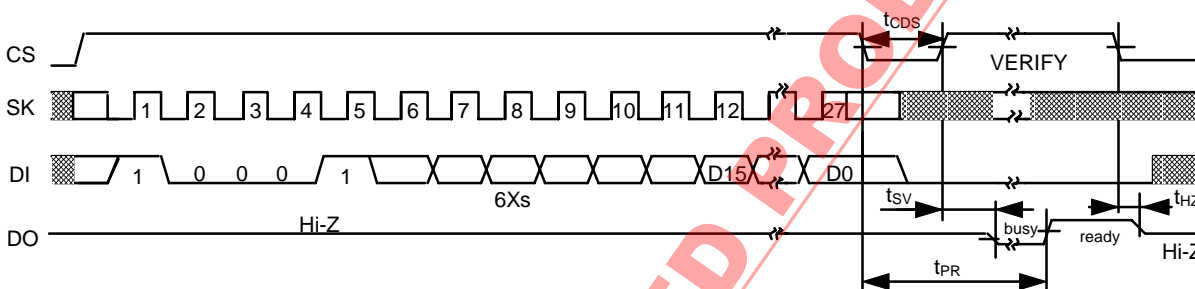


Figure 14 WRAL Timing (S-93C56A)

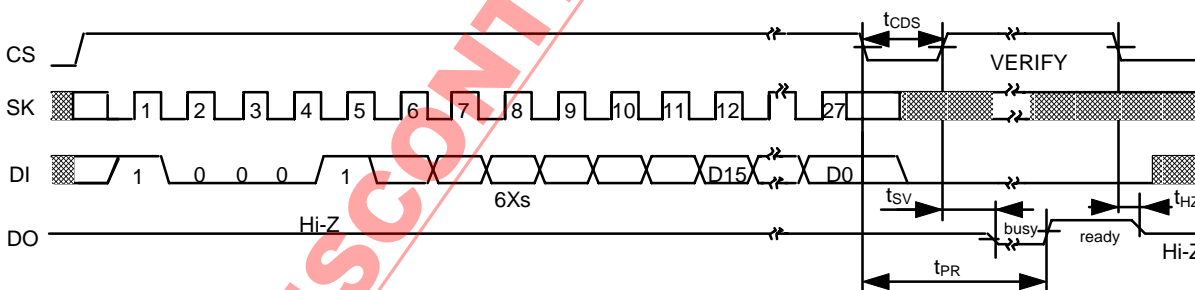


Figure 15 WRAL Timing (S-93C66A)

2.4 ERAL

This instruction erases the data in every address. After changing CS to high, input a start-bit, op-code (ERAL), and address (optional). It is not necessary to input data. Changing CS to low will start the ERAL operation, which changes every bit of data to "1."

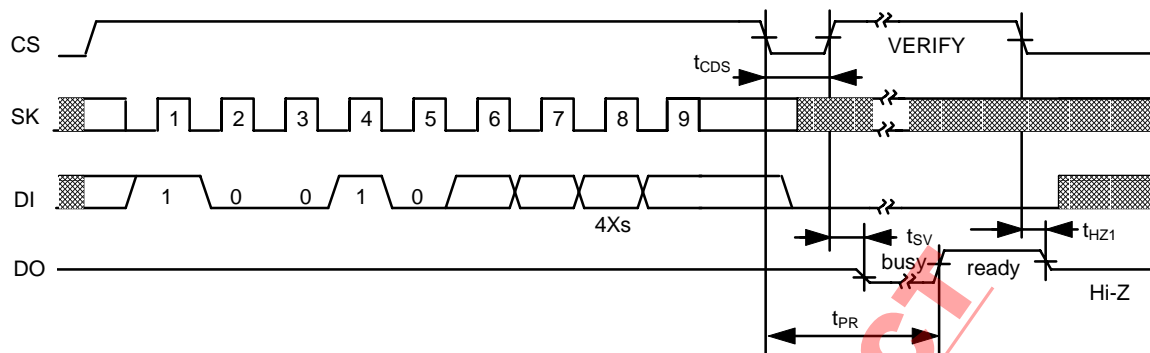


Figure 16 ERAL Timing (S-93C46A)

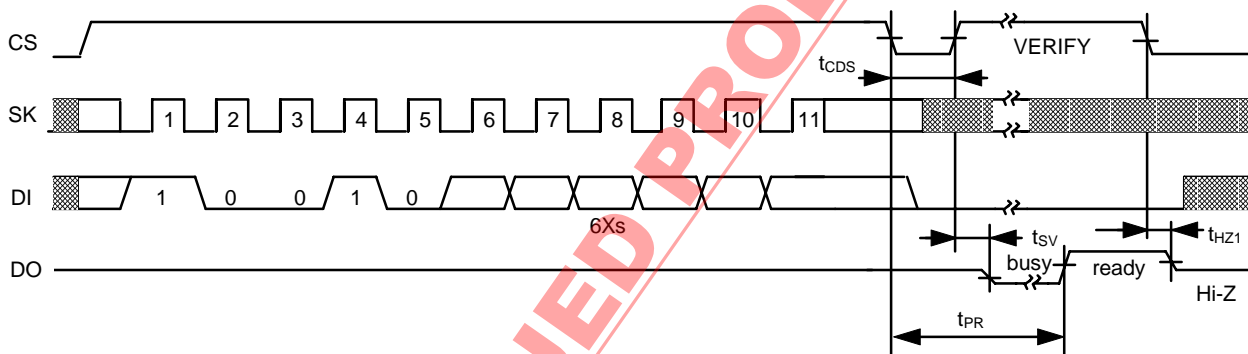


Figure 17 ERAL Timing (S-93C56A)

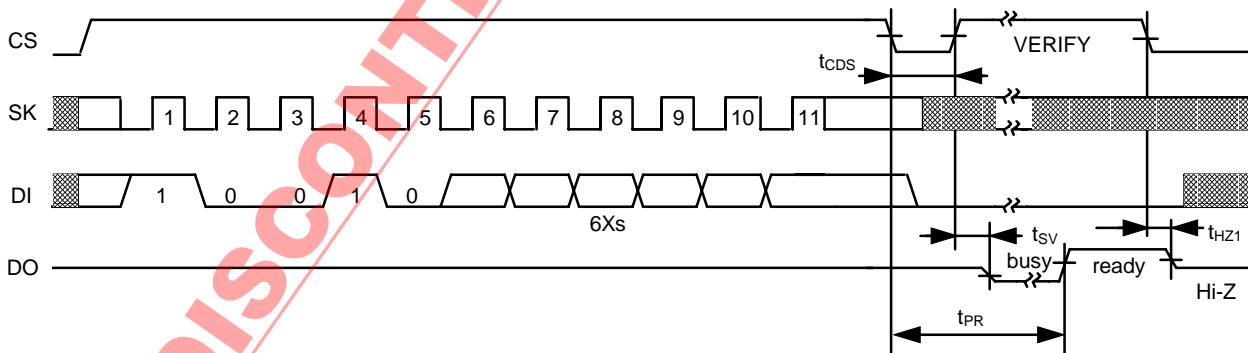
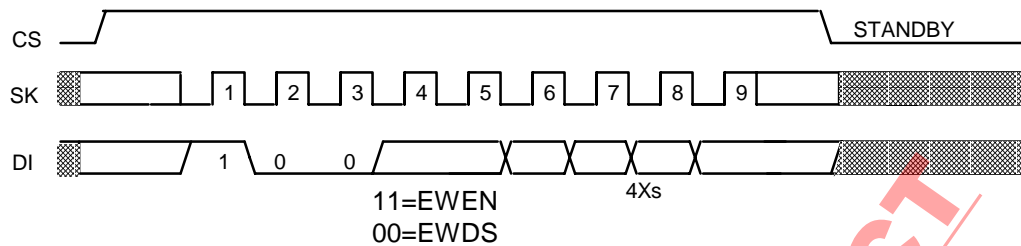


Figure 18 ERAL Timing (S-93C66A)

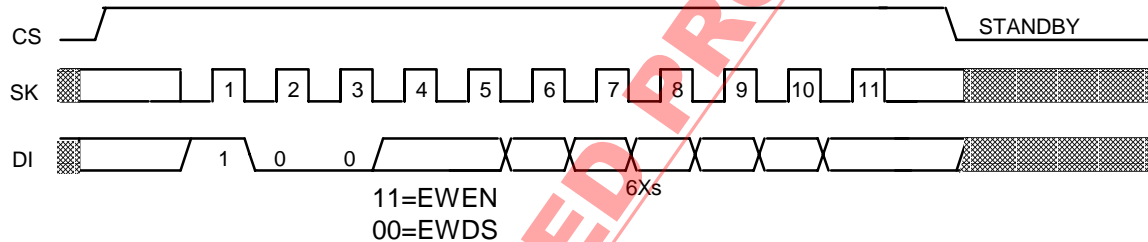
3. Write enable (EWEN) and Write disable (EWDS)

The EWEN instruction puts the S-93C46A/56A/66A into write enable mode, which accepts WRITE, ERASE, WRAL, and ERAL instructions. The EWDS instruction puts the S-93C46A/56A/66A into write disable mode, which refuses WRITE, ERASE, WRAL, and ERAL instructions.

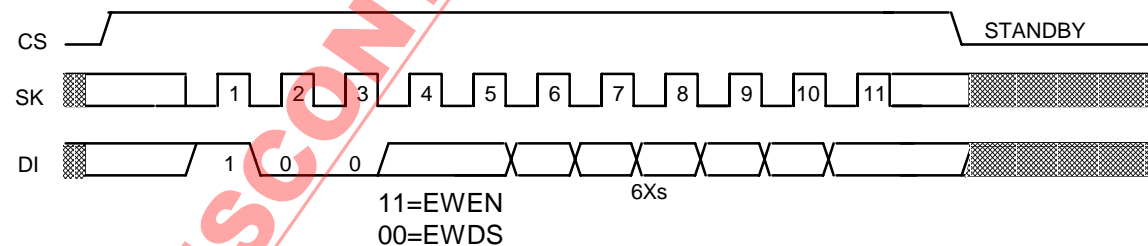
The S-93C46A/56A/66A powers on in write disable mode, which protects data against unexpected, erroneous write operations caused by noise and/or CPU malfunctions. It should be kept in write disable mode except when performing write operations, after power-on and before shut-down.



**Figure 19** EWEN/EWDS Timing (S-93C46A)



**Figure 20** EWEN/EWDS Timing (S-93C56A)



**Figure 21** EWEN/EWDS Timing (S-93C66A)

■ **Receiving a Start-Bit**

Both the recognition of a start-bit and the VERIFY procedure occur when CS is “high”. Therefore, only after a write operation, in order to accept the next command by having CS go high, the DO pin switch from a state of high-impedence to a state of data output; but if it recognizes a start-bit, the DO pin returns to a state of high-impedence.

■ **Three-wire Interface (DI-DO direct connection)**

Although the normal configuration of a serial interface is a 4-wire interface to CS, SK, DI, and DO, a 3-wire interface is also a possibility by connecting DI and DO. However, since there is a possibility that the DO output from the serial memory IC will interfere with the data output from the CPU with a 3-wire interface, install a resistor between DI and DO in order to give preference to data output from the CPU to DI (See Figure 22).

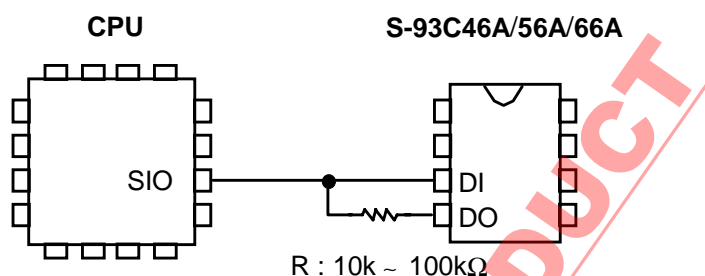
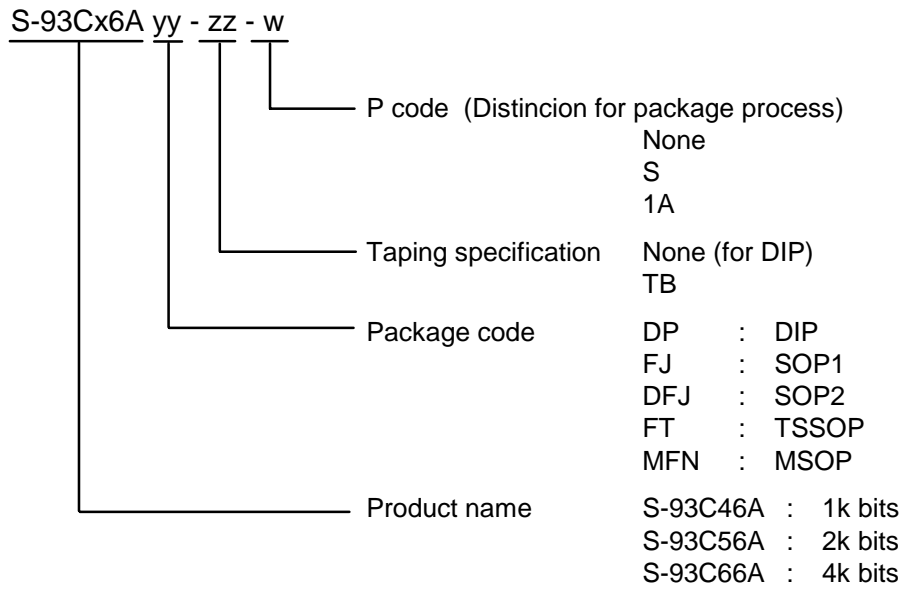


Figure 22

Please refer Application Note “S-29 & S-93C series EEPROMs Tips, Tricks & Traps” for equivalent circuit of each pin.

■ Ordering Information



Product name	Package code	Taping specification	P code	Package/Tape/Reel drawings
S-93C46A S-93C66A	DP	None	None	DP008-A
			S	DP008-A DP008-E
			-1A	DP008-C
	DFJ		None	FJ008-D
			S	FJ008-D FJ008-E
			None	FT008-A
			S	FT008-A FT008-B
			MFN	-TB

Note

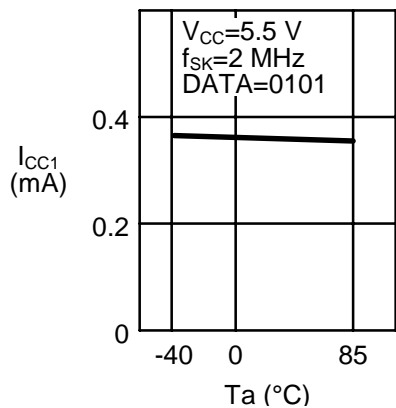
- 1) Package dimensions of SOPs whose package codes are FJ and DFJ are the same in the range of deviation.
- 2) Please contact an SII local office or a local representative for details.

DISCONTINUED PRODUCT

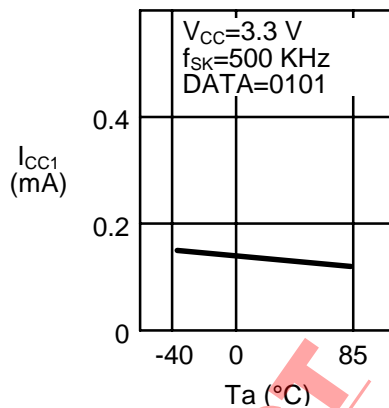
■ Characteristics

1. DC Characteristics

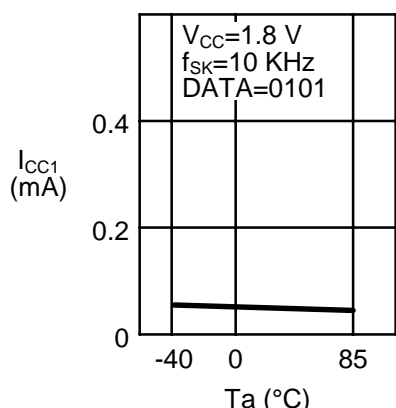
1.1 Current consumption (READ)  $I_{CC1}$ — Ambient temperature  $T_a$



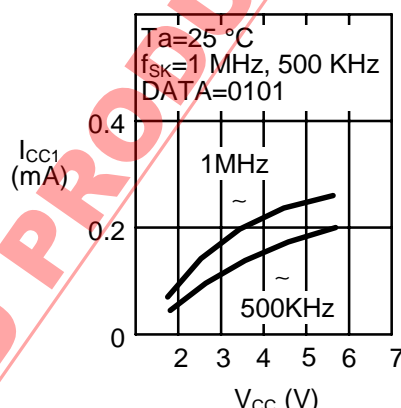
1.2 Current consumption (READ)  $I_{CC1}$ — Ambient temperature  $T_a$



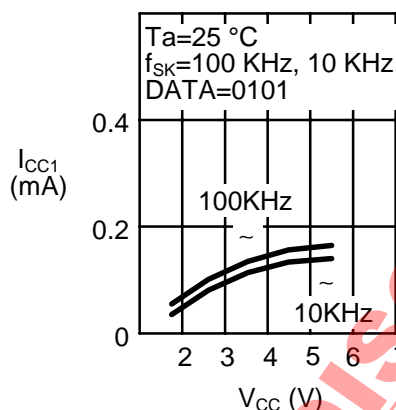
1.3 Current consumption (READ)  $I_{CC1}$ — Ambient temperature  $T_a$



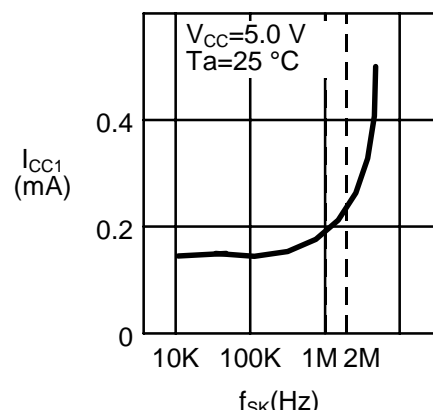
1.4 Current consumption (READ)  $I_{CC1}$ — Power supply voltage  $V_{CC}$



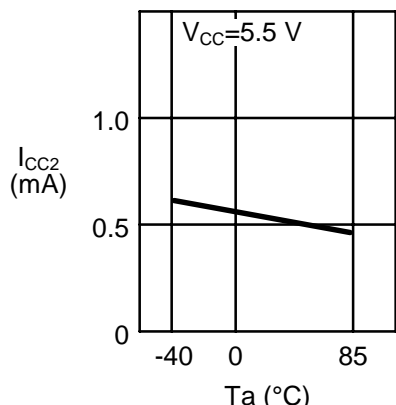
1.5 Current consumption (READ)  $I_{CC1}$ — Power supply voltage  $V_{CC}$



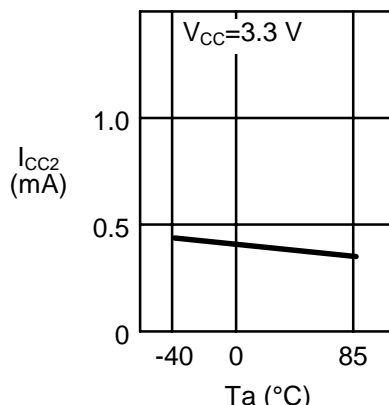
1.6 Current consumption (READ)  $I_{CC1}$ — Clock frequency  $f_{SK}$



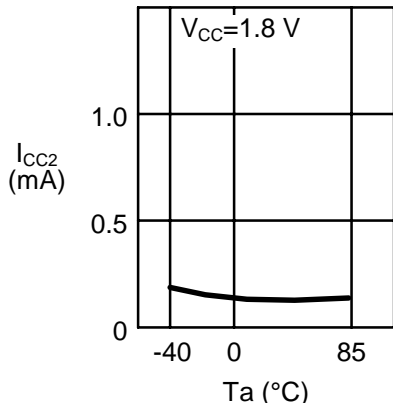
1.7 Current consumption (WRITE)  $I_{CC2}$ — Ambient temperature  $T_a$



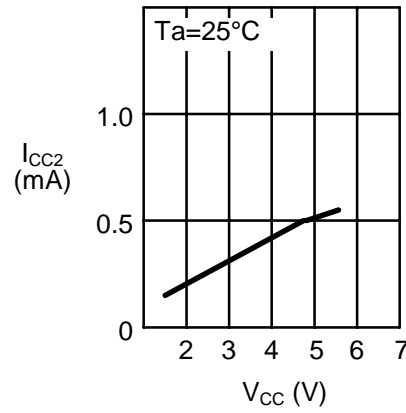
1.8 Current consumption (WRITE)  $I_{CC2}$ — Ambient temperature  $T_a$



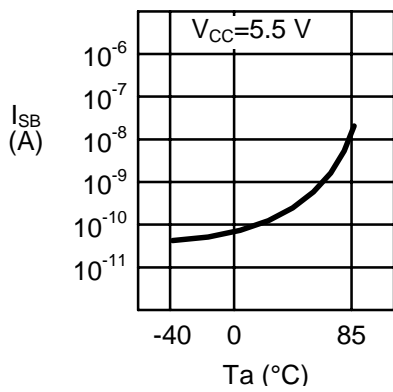
1.9 Current consumption (WRITE)  $I_{CC2}$ —  
Ambient temperature  $T_a$



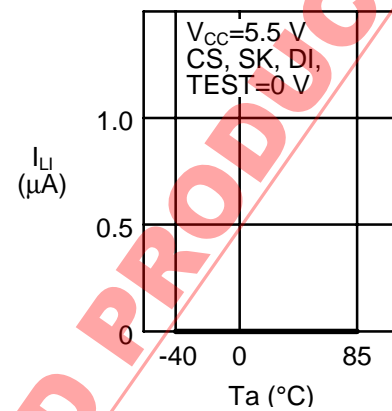
1.10 Current consumption (WRITE)  $I_{CC2}$ —  
Power supply voltage  $V_{CC}$



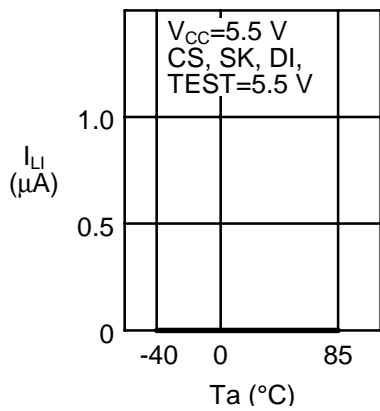
1.11 Standby current consumption  $I_{SB}$ —  
Ambient temperature  $T_a$



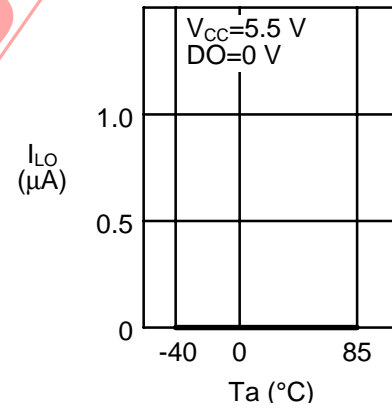
1.12 Input leakage current  $I_{LI}$ —  
Ambient temperature  $T_a$



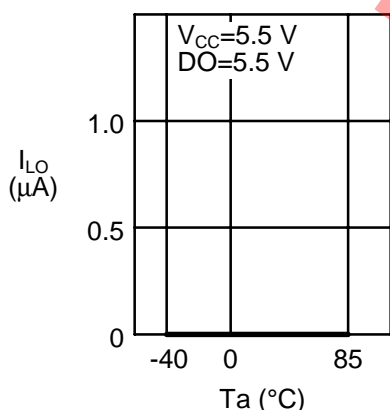
1.13 Input leakage current  $I_{LI}$ —  
Ambient temperature  $T_a$



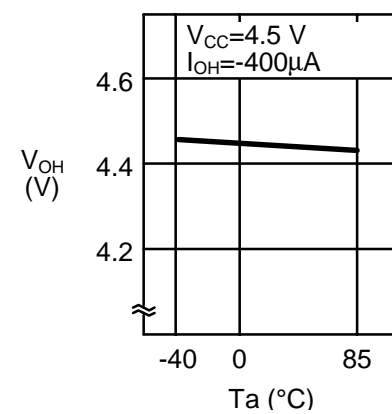
1.14 Output leakage current  $I_{LO}$ —  
Ambient temperature  $T_a$



1.15 Output leakage current  $I_{LO}$ —  
Ambient temperature  $T_a$

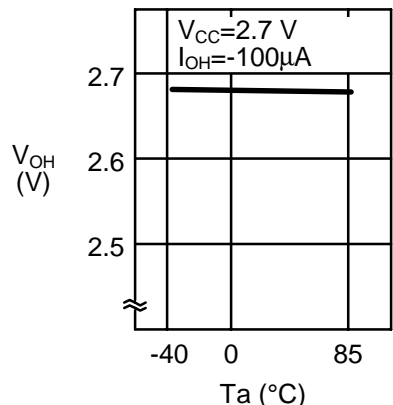


1.16 High level output voltage  $V_{OH}$ —  
Ambient temperature  $T_a$

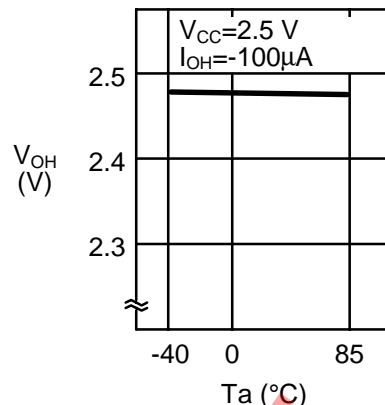




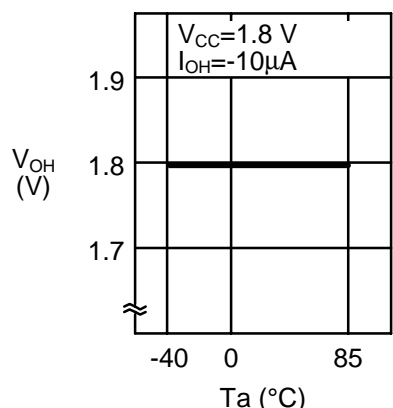
1.17 High level output voltage  $V_{OH}$ —  
Ambient temperature  $T_a$



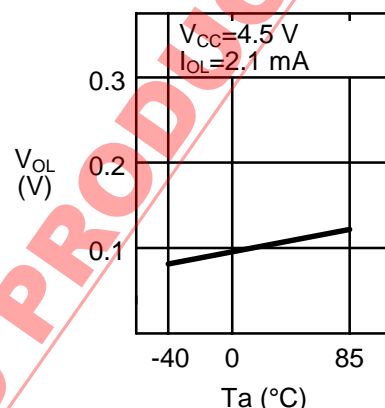
1.18 High level output voltage  $V_{OH}$ —  
Ambient temperature  $T_a$



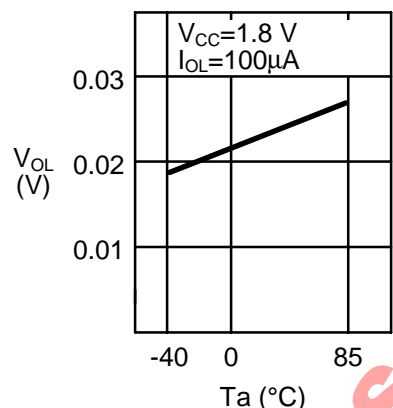
1.19 High level output voltage  $V_{OH}$ —  
Ambient temperature  $T_a$



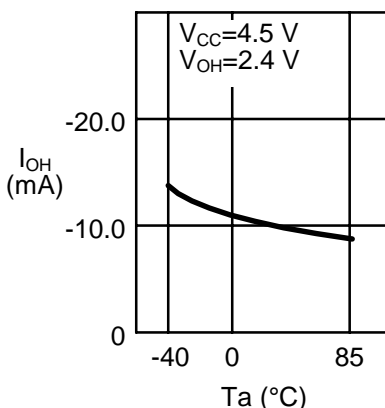
1.20 Low level output voltage  $V_{OL}$ —  
Ambient temperature  $T_a$



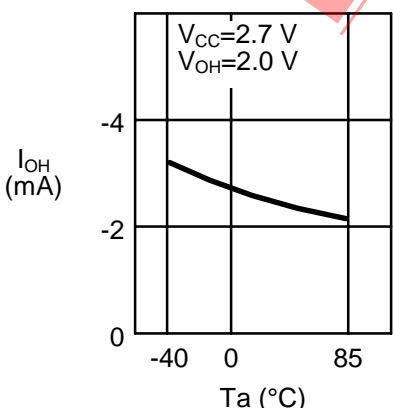
1.21 Low level output voltage  $V_{OL}$ —  
Ambient temperature  $T_a$



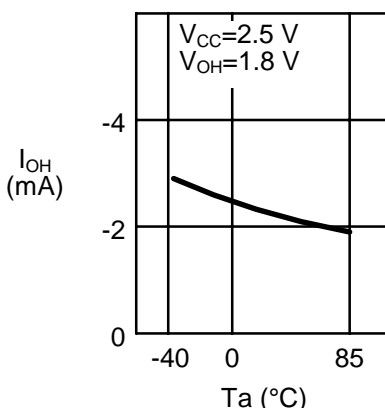
1.22 High level output current  $I_{OH}$ —  
Ambient temperature  $T_a$



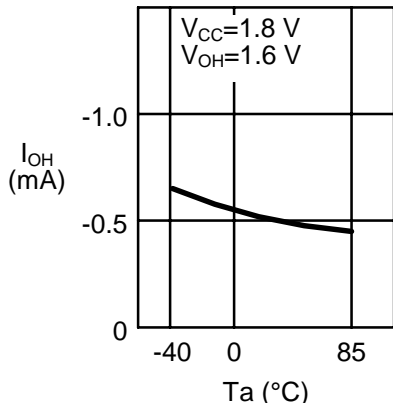
1.23 High level output current  $I_{OH}$ —  
Ambient temperature  $T_a$



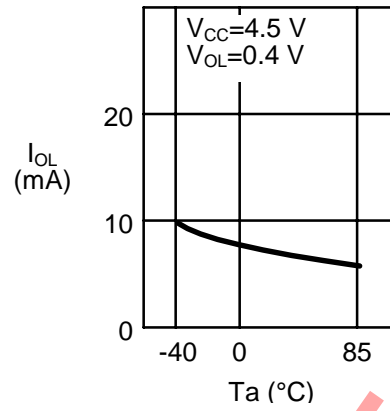
1.24 High level output current  $I_{OH}$ —  
Ambient temperature  $T_a$



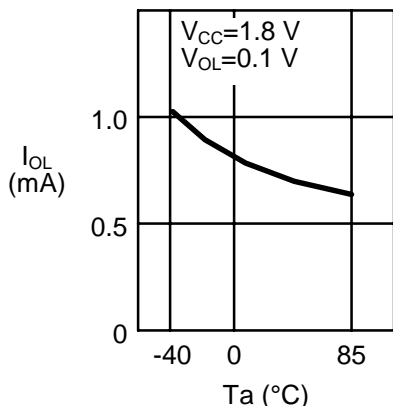
1.25 High level output current  $I_{OH}$  — Ambient temperature  $T_a$



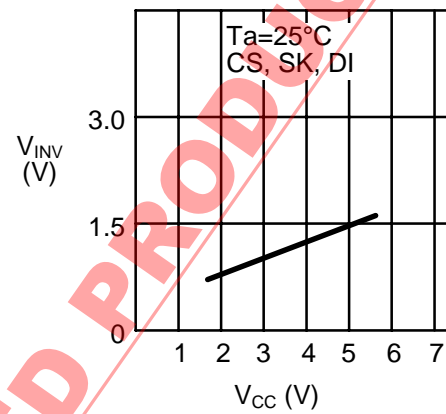
1.26 Low level output current  $I_{OL}$  — Ambient temperature  $T_a$



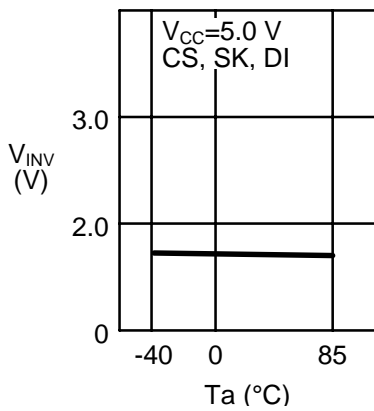
1.27 Low level output current  $I_{OL}$  — Ambient temperature  $T_a$



1.28 Input voltage  $V_{IN}(V_{IL}, V_{IH})$  — Power supply voltage  $V_{CC}$



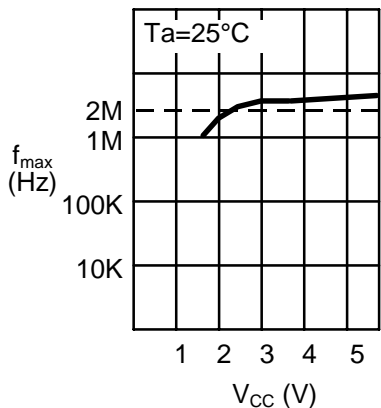
1.29 Input voltage  $V_{IN}(V_{IL}, V_{IH})$  — Ambient temperature  $T_a$



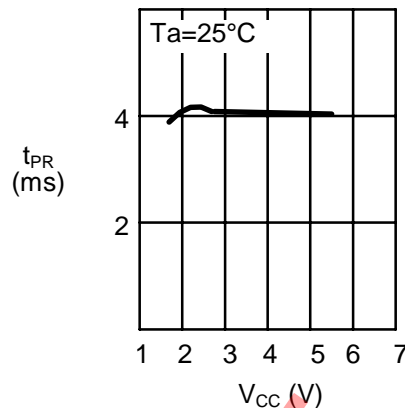
DISCONTINUED PRODUCT

2. AC Characteristics

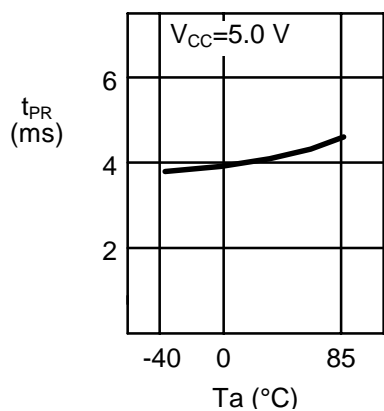
2.1 Maximum operating frequency  $f_{max}$ —  
Power supply voltage  $V_{CC}$



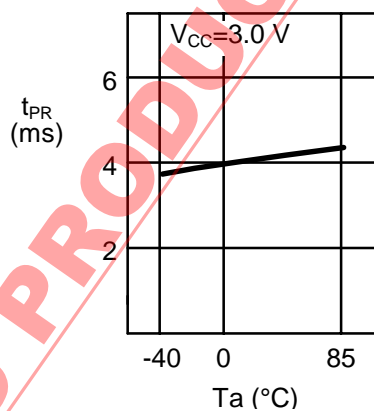
2.2 Program time  $t_{PR}$ —  
Power supply voltage  $V_{CC}$



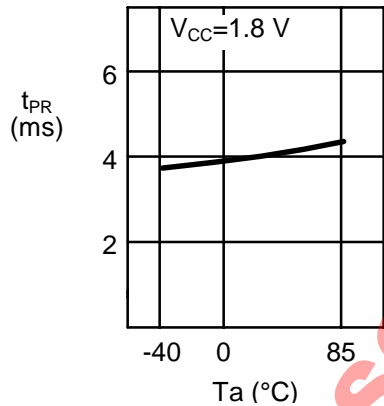
2.3 Program time  $t_{PR}$ —  
Ambient temperature  $T_a$



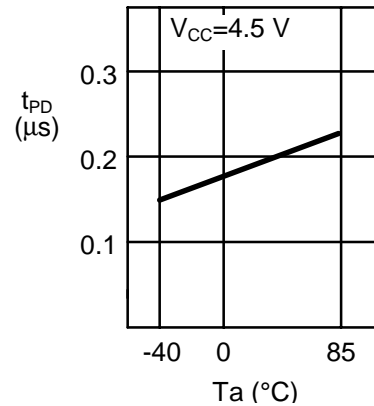
2.4 Program time  $t_{PR}$ —  
Ambient temperature  $T_a$



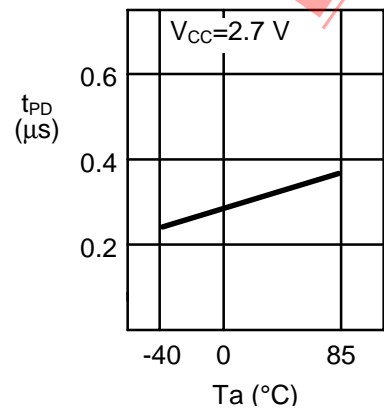
2.5 Program time  $t_{PR}$ —  
Ambient temperature  $T_a$



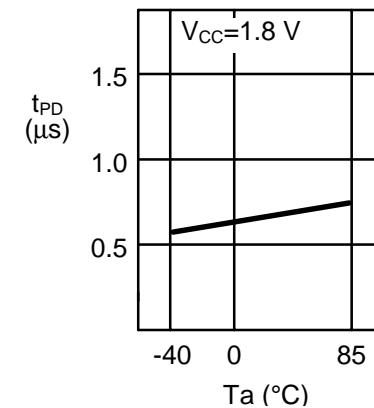
2.6 Data output delay time  $t_{PD}$ —  
Ambient temperature  $T_a$



2.7 Data output delay time  $t_{PD}$ —  
Ambient temperature  $T_a$



2.8 Data output delay time  $t_{PD}$ —  
Ambient temperature  $T_a$



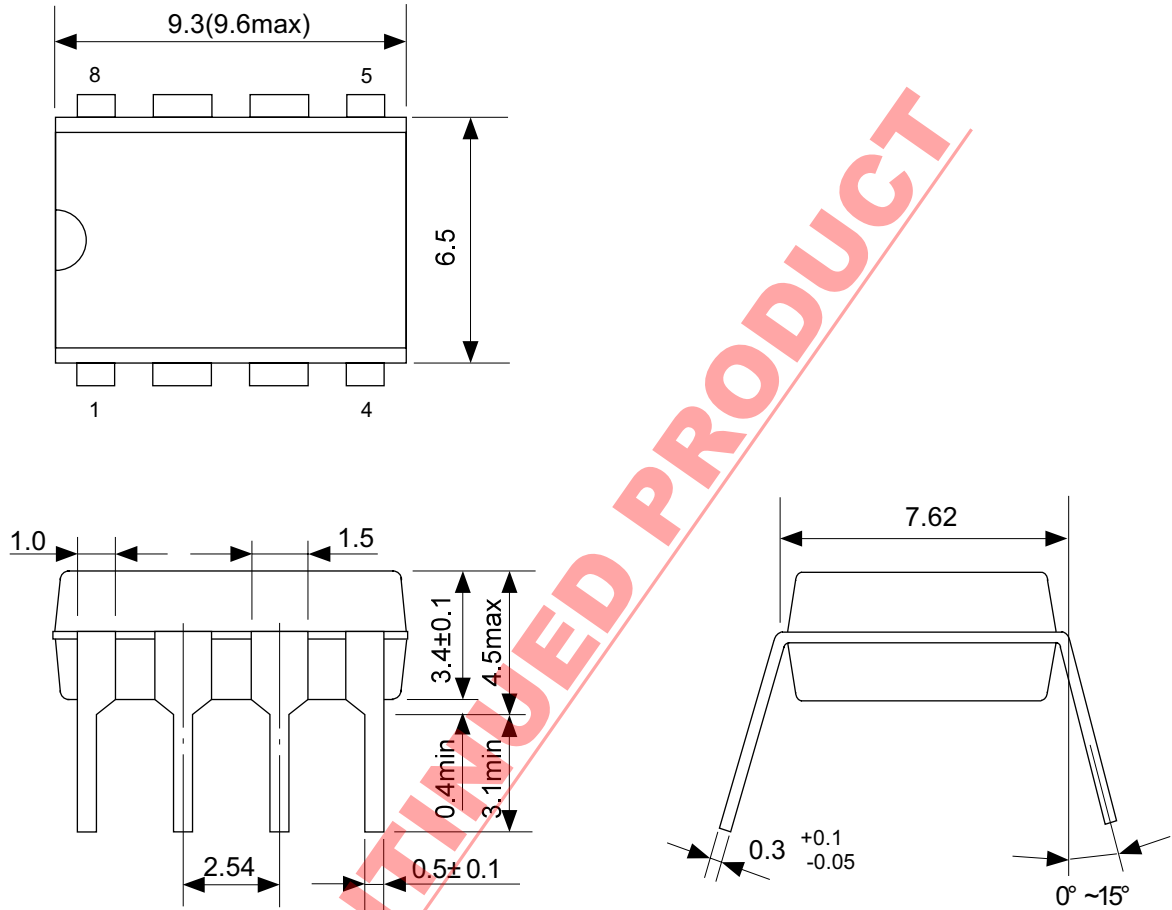
# 8-Pin DIP

DP008-A

011129

## ●Dimensions

Unit:mm



**DISCONTINUED PRODUCT**

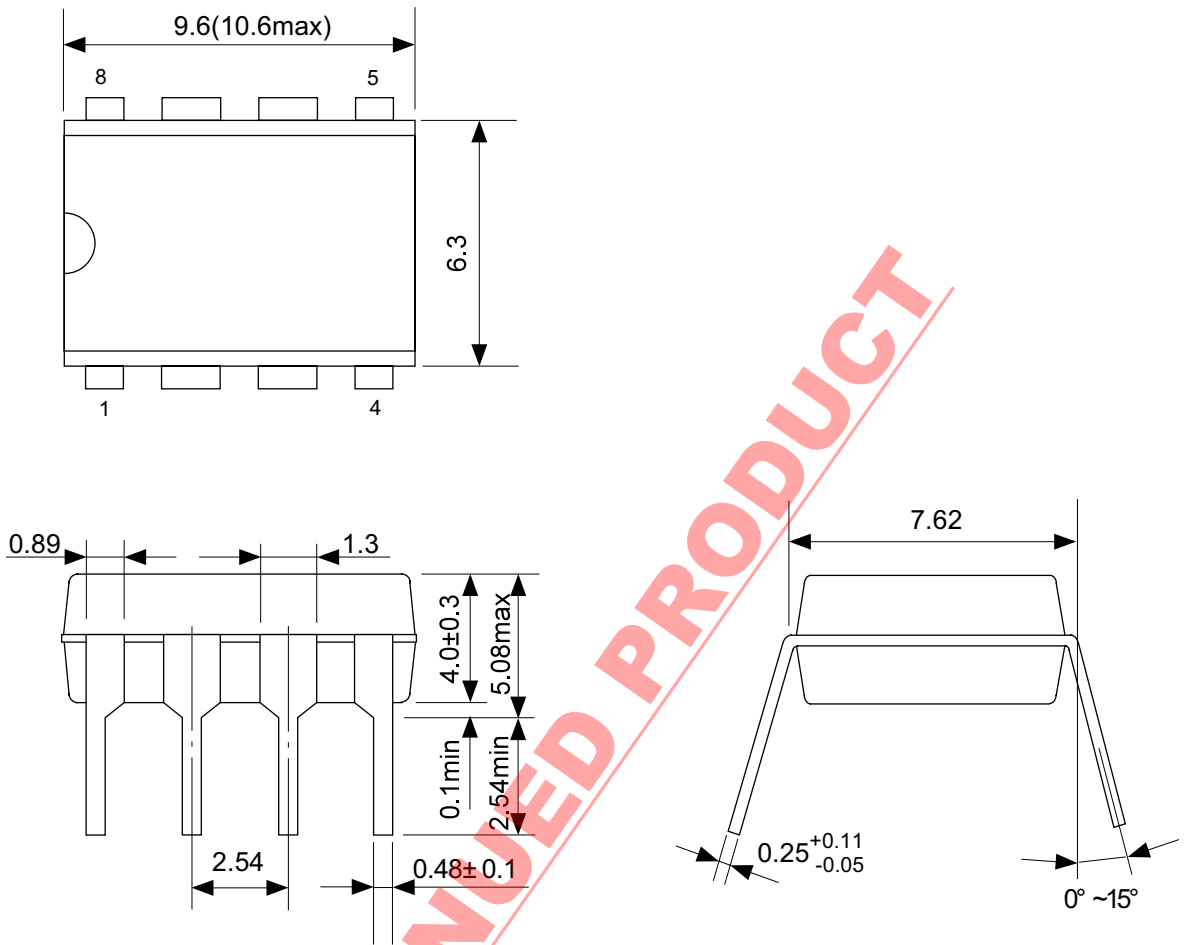
No.:DP008-A-P-SD-1.0

■ 8-Pin DIP

DP008-C 011204

● Dimensions

Unit : mm



No.:DP008-C-P-SD-1.0

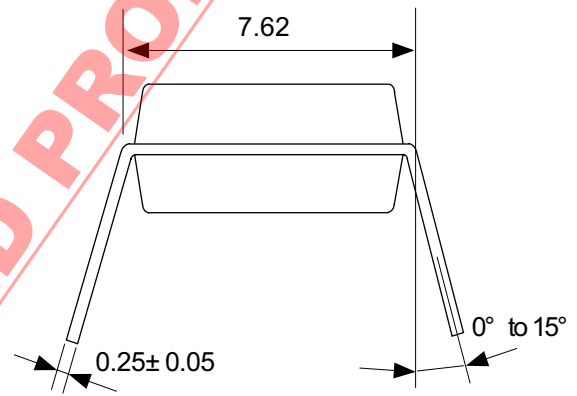
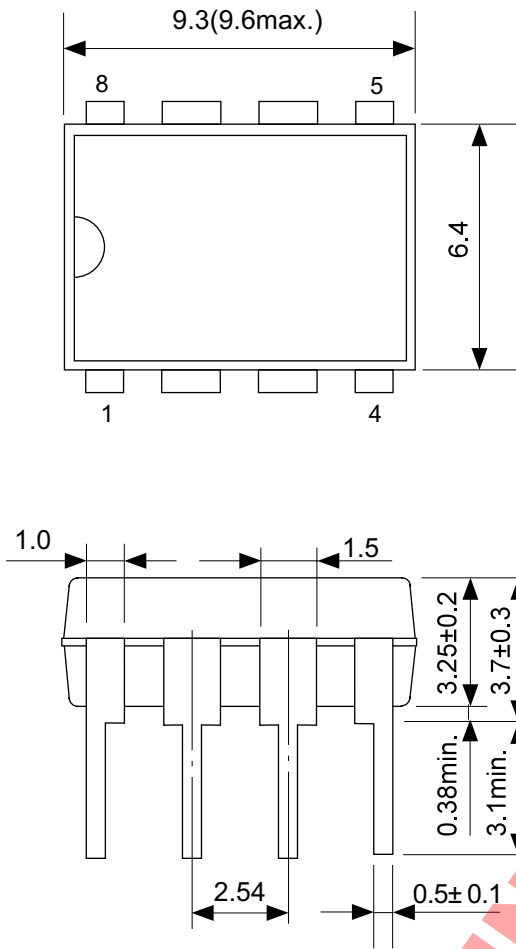
DISCONTINUED PRODUCT

# ■ 8-Pin DIP

DP008-E Rev.1.0 0111203

## ● Dimensions

Unit : mm



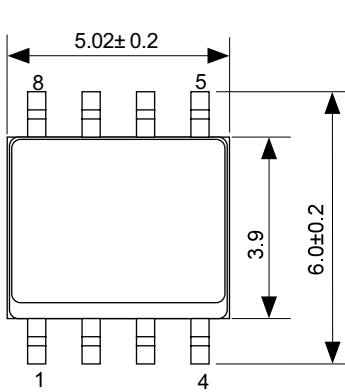
**DISCONTINUED PRODUCT**

No. : DP008-E-P-SD-2.0

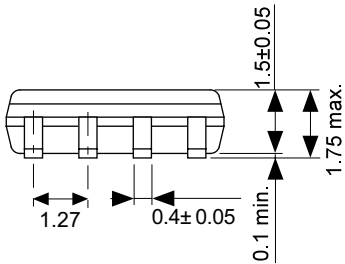
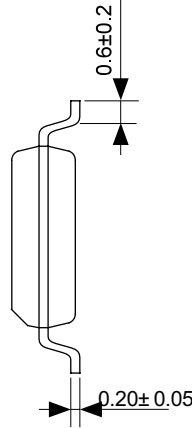
**■ 8-Pin SOP**

**FJ008-D Rev.1.0 011129**

**● Dimensions**

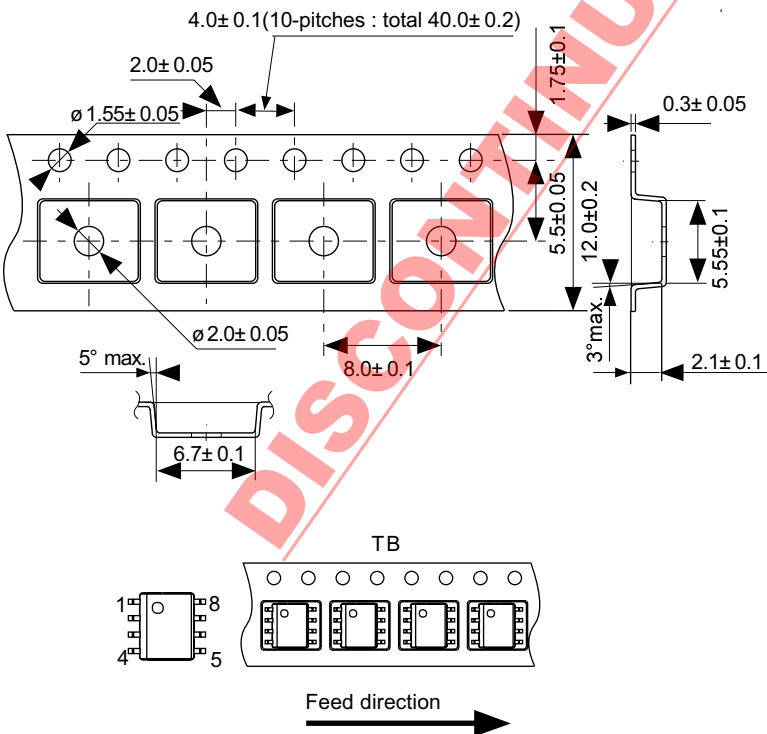


Unit : mm



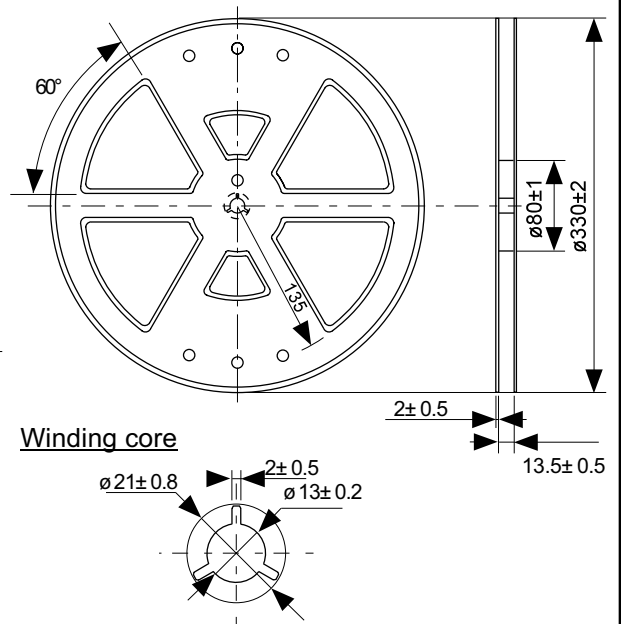
No. : FJ008-A-P-SD-2.0

**● Tape Specifications**



**● Reel Specifications**

2000 pcs./reel



No. : FJ008-D-C-SD-1.0

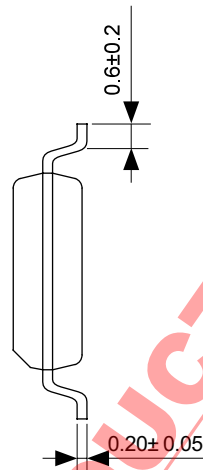
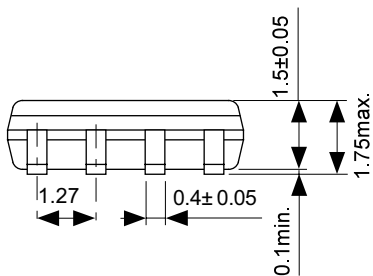
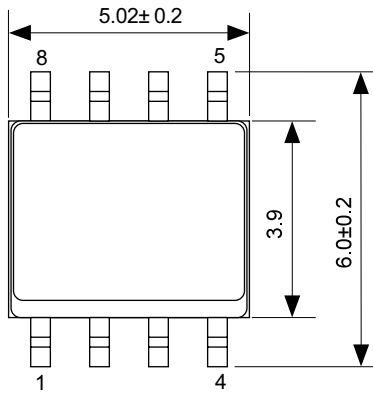
No. FJ008-D-R-SD-1.0

# 8-Pin SOP

FJ008-E 011204

## Dimensions

Unit : mm



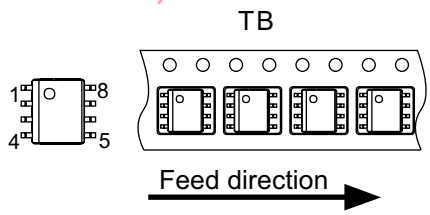
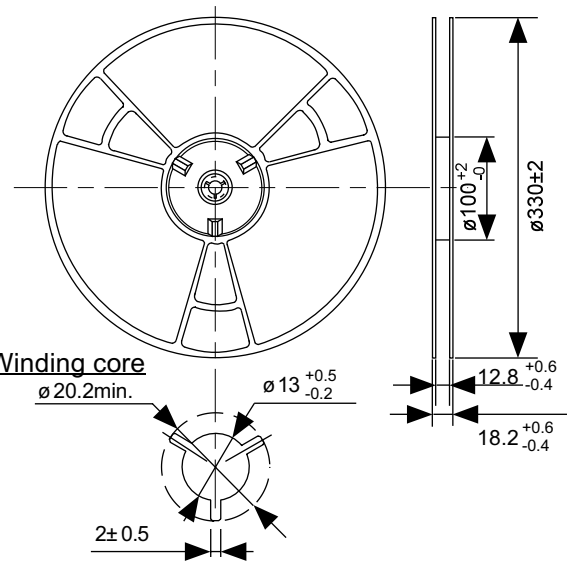
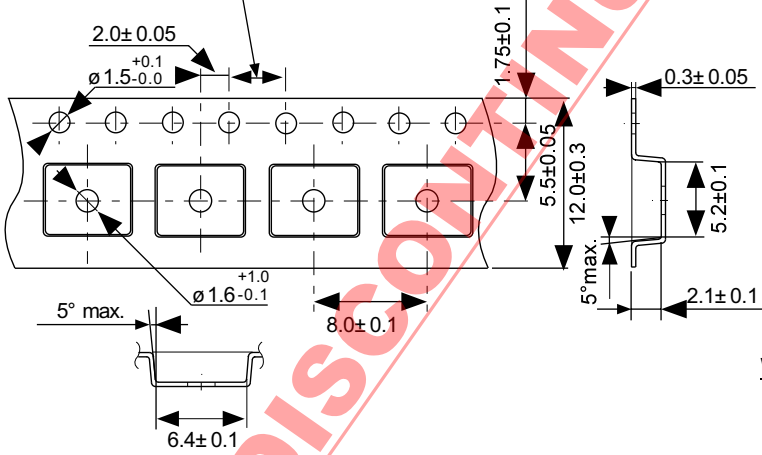
No.: FJ008-A-P-SD-2.0

## Tape Specifications

## Reel Specifications

2000 pcs./reel

4.0±0.1(10 pitches : total 40.0±0.2)

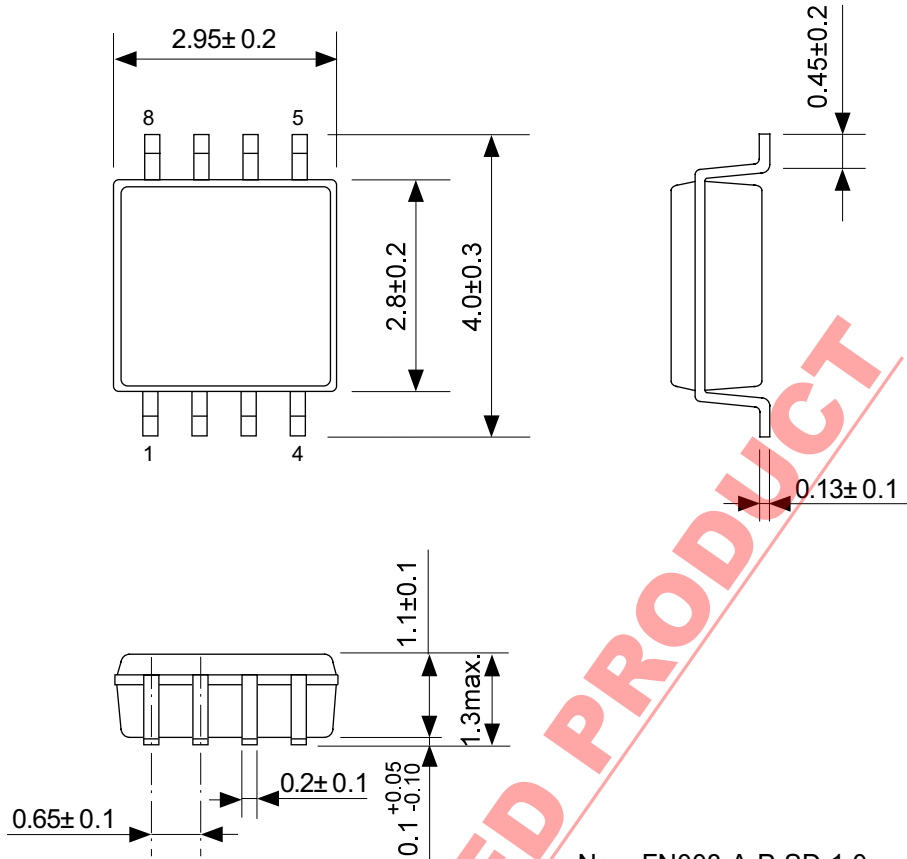


No.: FJ008-E-R-SD-1.0

No.: FJ008-E-C-SD-1.0

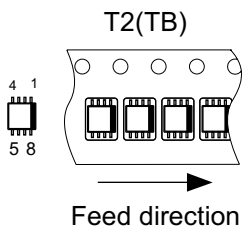
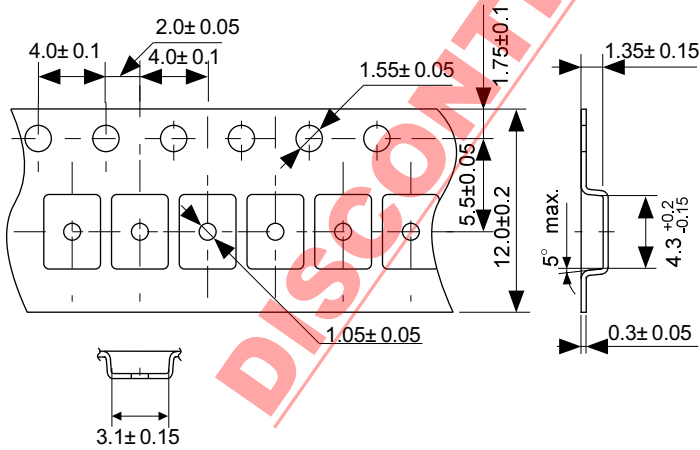


● Dimensions



No. : FN008-A-P-SD-1.0

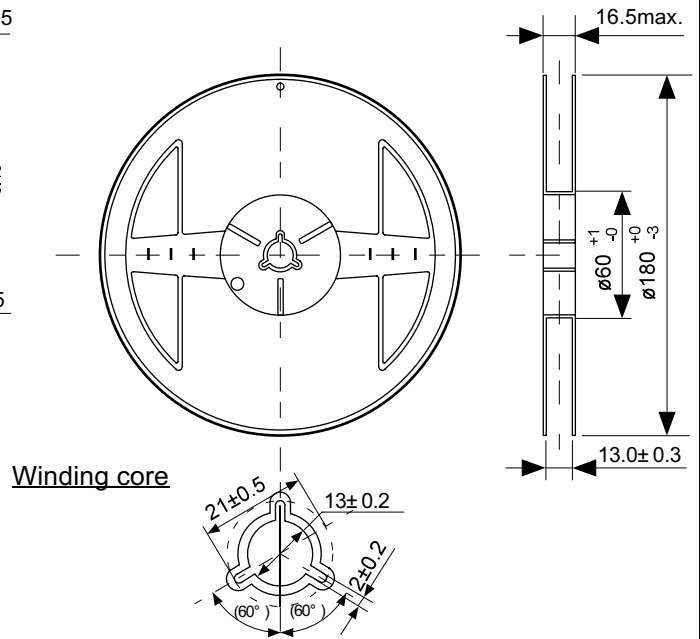
● Tape Specifications



No. : FN008-A-C-SD-1.0

● Reel Specifications

3000 pcs/reel



Winding core

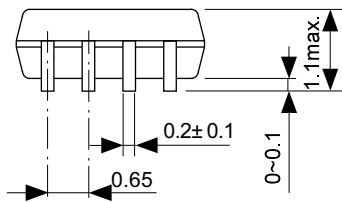
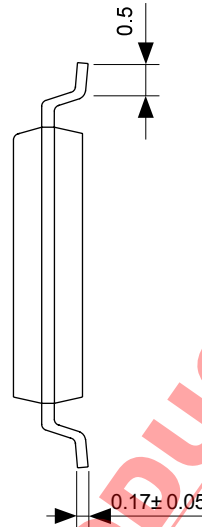
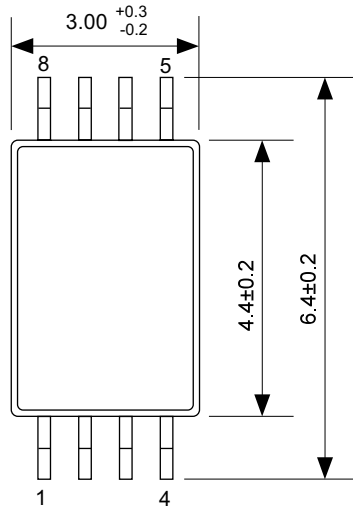
No. : FN008-A-R-SD-1.0

# 8-pin TSSOP

FT008-A Rev.1.0 011219

## Dimensions

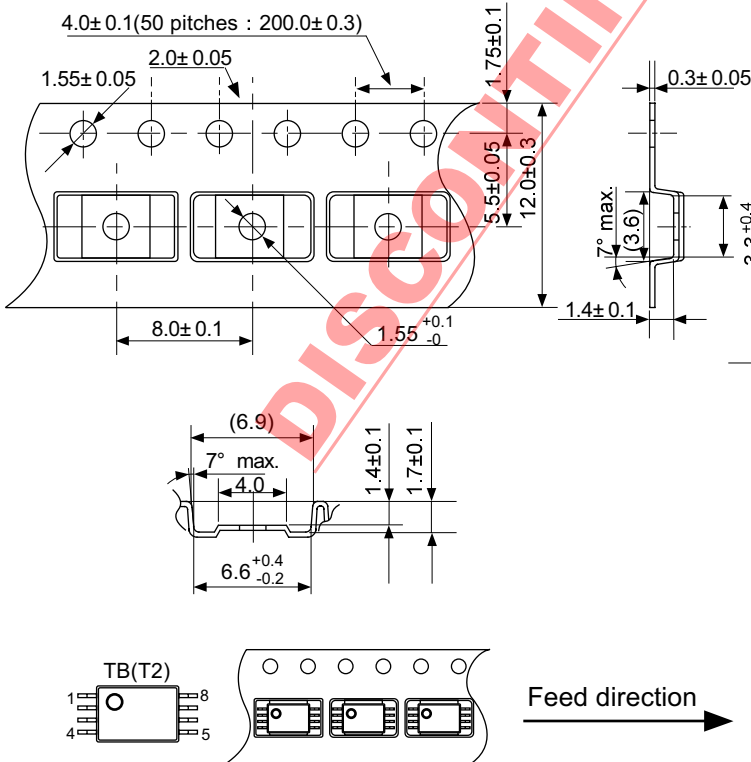
Unit:mm



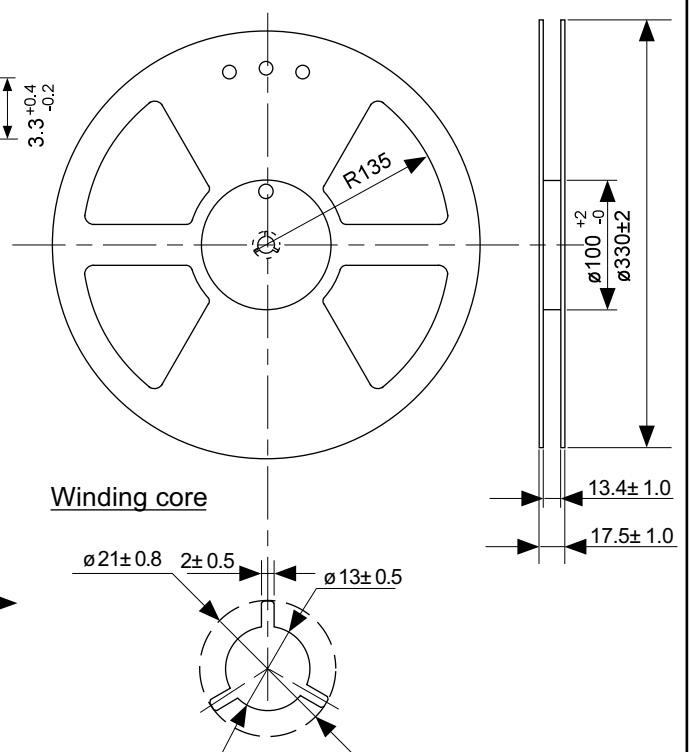
No. : FT008-A-P-SD-1.0

## Taping Specifications

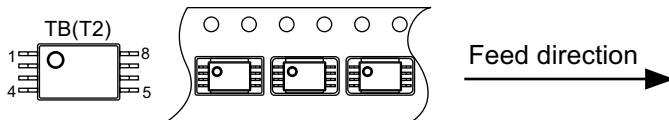
## Reel Specifications



1 reel holds 3000 ICs.



Winding core



No. : FT008-A-C-SD-3.0

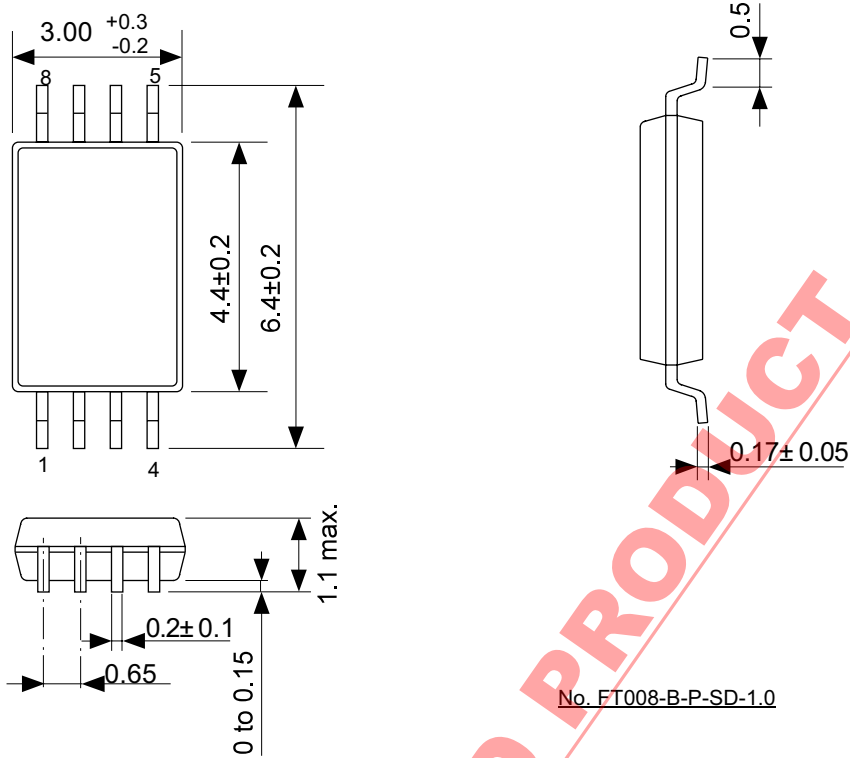
No. : FT008-A-R-SD-3.0

# 8-Pin TSSOP

FT008-B Rev.1.0 020214

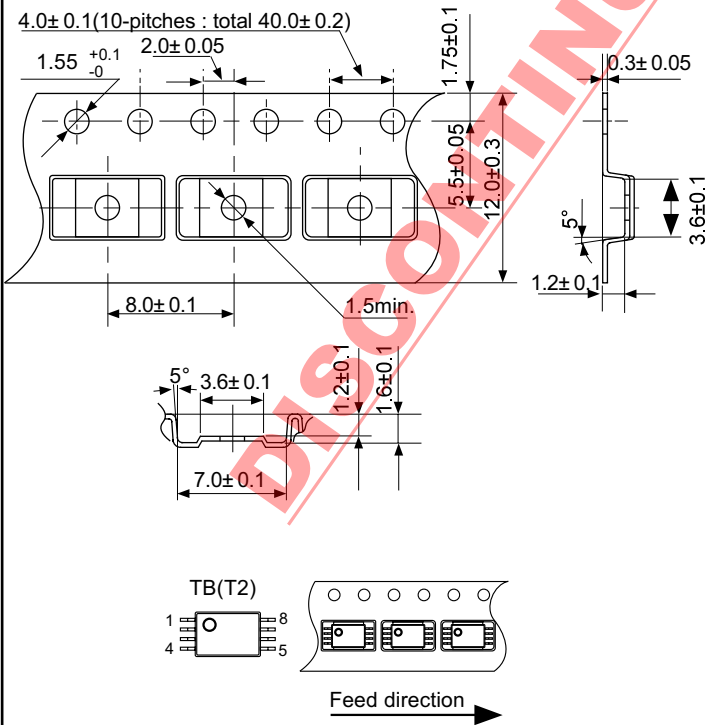
Unit : mm

## Dimensions



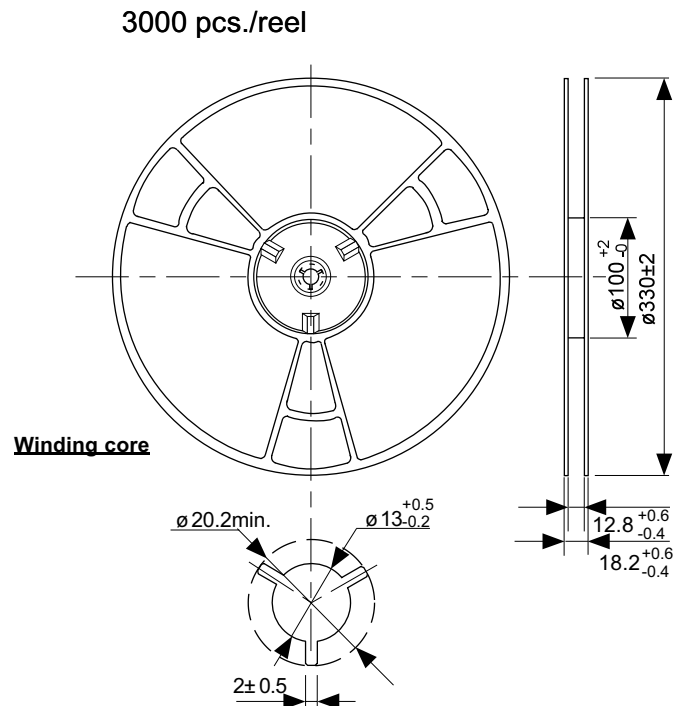
No. FT008-B-P-SD-1.0

## Tape Specifications



No. : FT008-B-C-SD-1.0

## Reel Specifications



No. FT008-B-R-SD-1.0

**DISCONTINUED PRODUCT**

- The information described herein is subject to change without notice.
- Seiko Instruments Inc. is not responsible for any problems caused by circuits or diagrams described herein whose related industrial properties, patents, or other rights belong to third parties. The application circuit examples explain typical applications of the products, and do not guarantee the success of any specific mass-production design.
- When the products described herein are regulated products subject to the Wassenaar Arrangement or other agreements, they may not be exported without authorization from the appropriate governmental authority.
- Use of the information described herein for other purposes and/or reproduction or copying without the express permission of Seiko Instruments Inc. is strictly prohibited.
- The products described herein cannot be used as part of any device or equipment affecting the human body, such as exercise equipment, medical equipment, security systems, gas equipment, or any apparatus installed in airplanes and other vehicles, without prior written permission of Seiko Instruments Inc.
- Although Seiko Instruments Inc. exerts the greatest possible effort to ensure high quality and reliability, the failure or malfunction of semiconductor products may occur. The user of these products should therefore give thorough consideration to safety design, including redundancy, fire-prevention measures, and malfunction prevention, to prevent any accidents, fires, or community damage that may ensue.